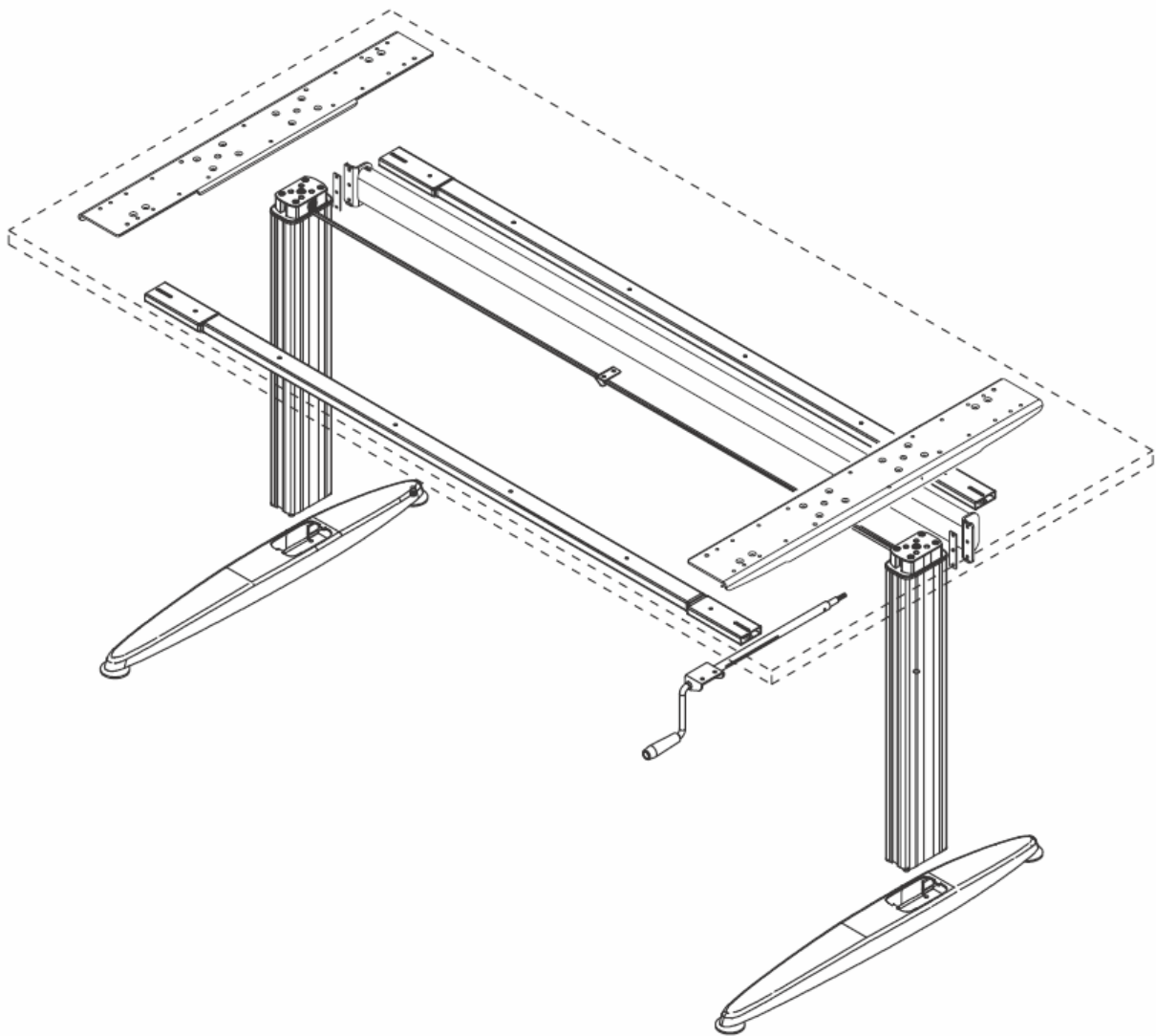
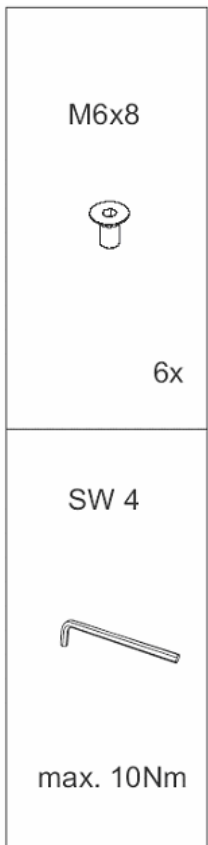
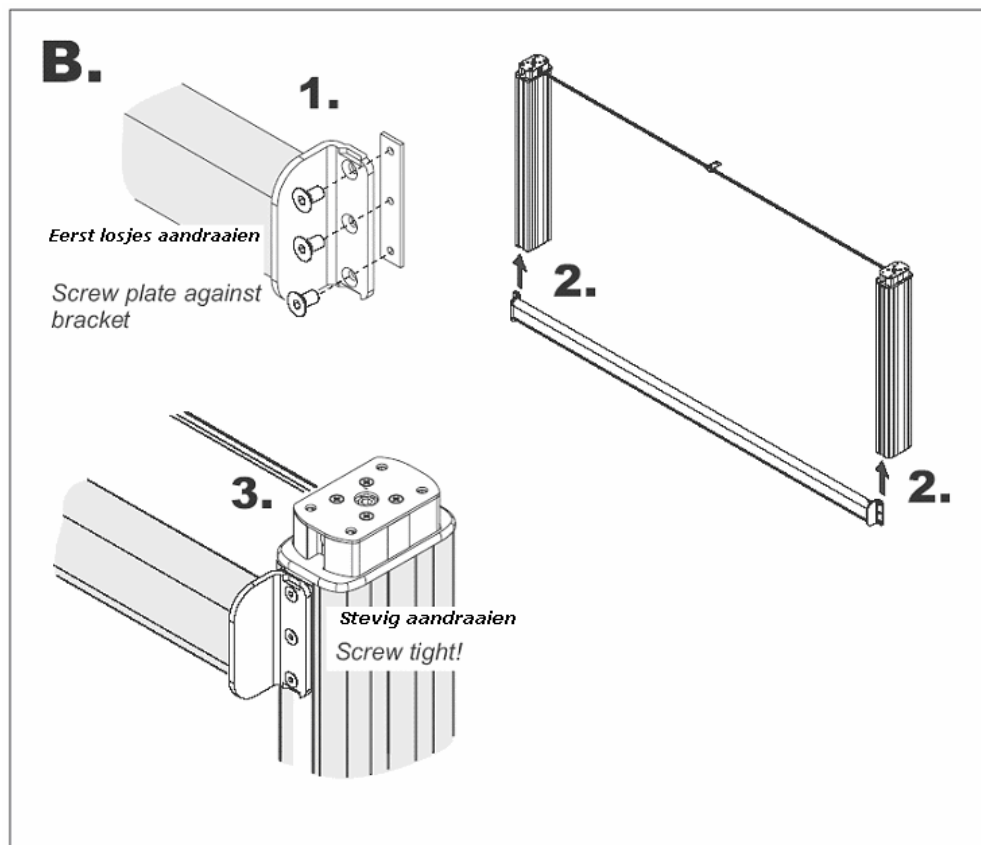
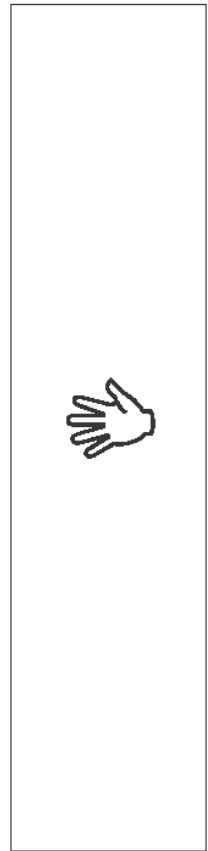
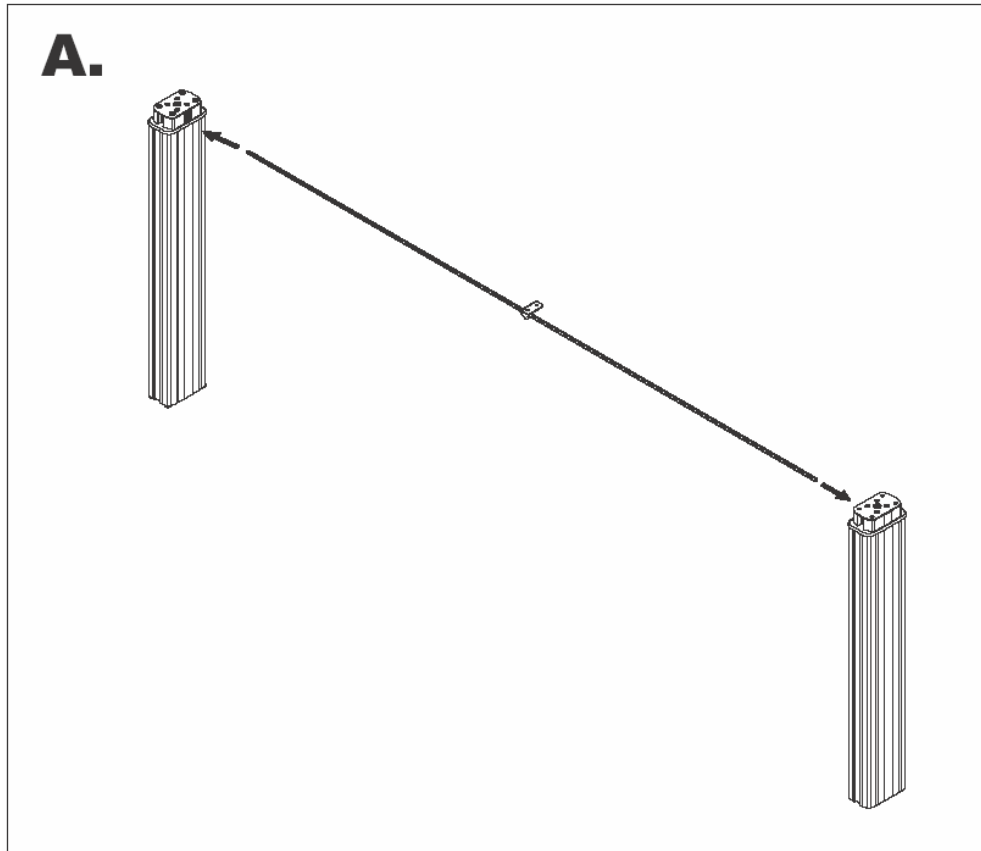
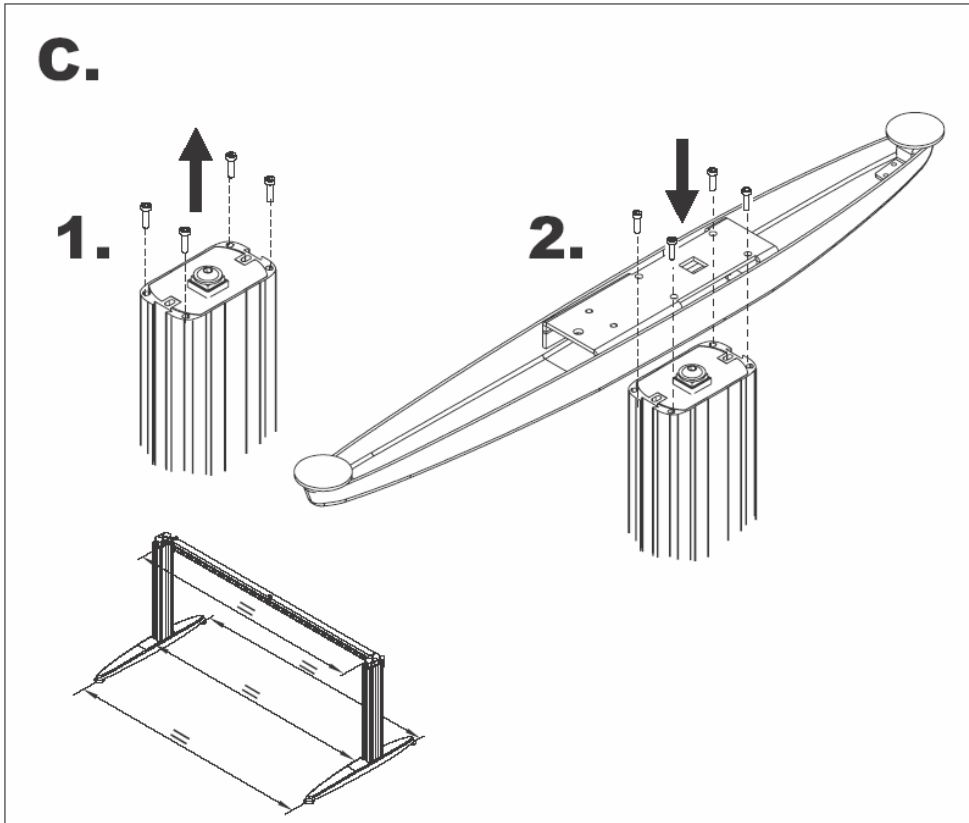




Montage handleiding TM220 "slinger"







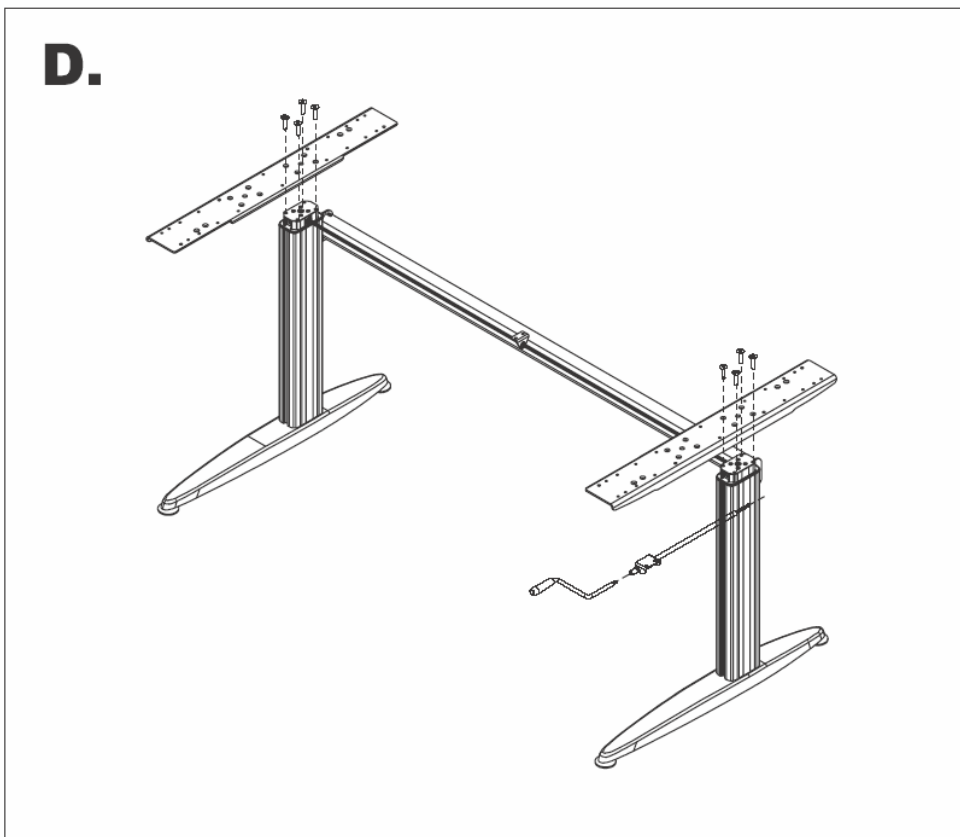
M6x25



8x

TORX 30

max. 15 Nm



M6x30



8x

TORX 30

max. 15 Nm

